

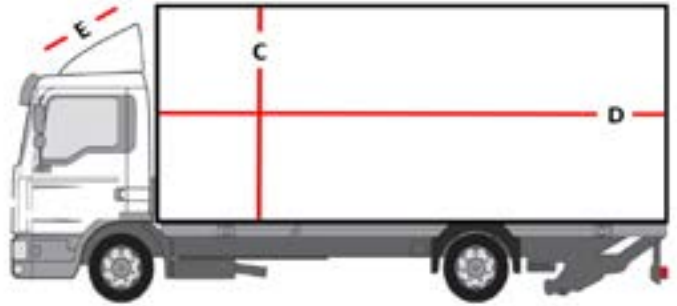
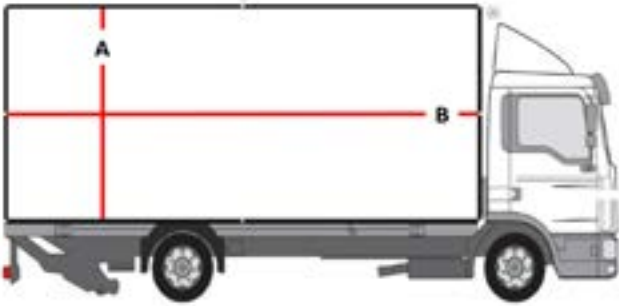
# MEASUREMENT REPORT TENSION FRAME



Customer

CAR ID

VIN

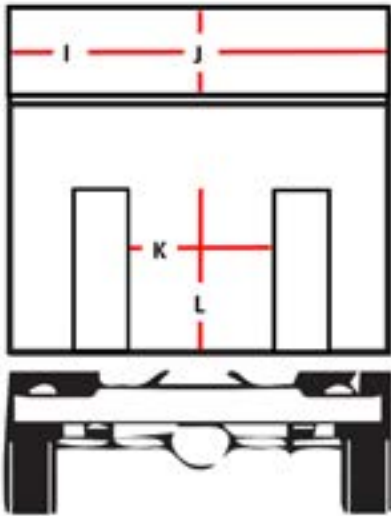


A

C

B

D



E

F

G

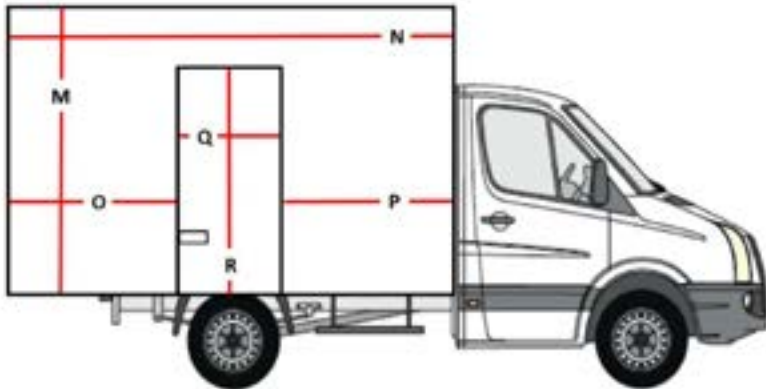
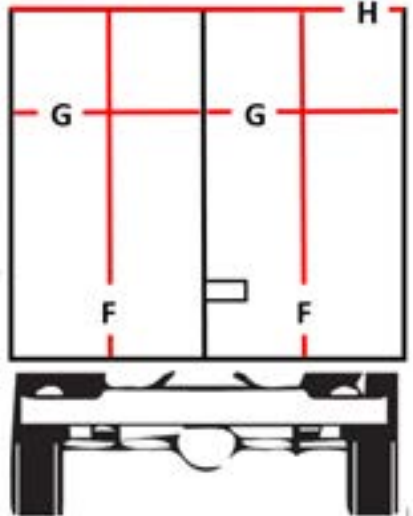
H

I

J

K

L



M

N

O

P

Q

R

Measured

Signature

Date